



Z888-12-HPD

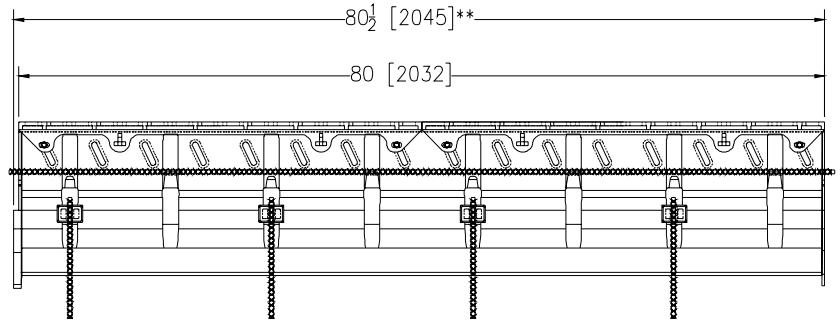
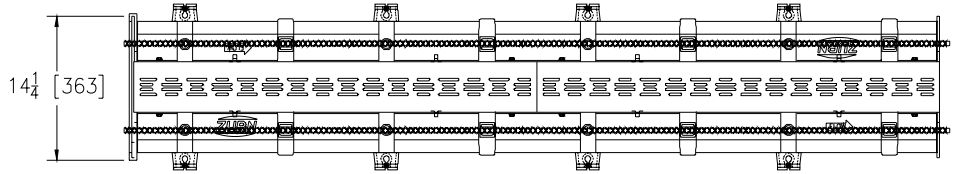
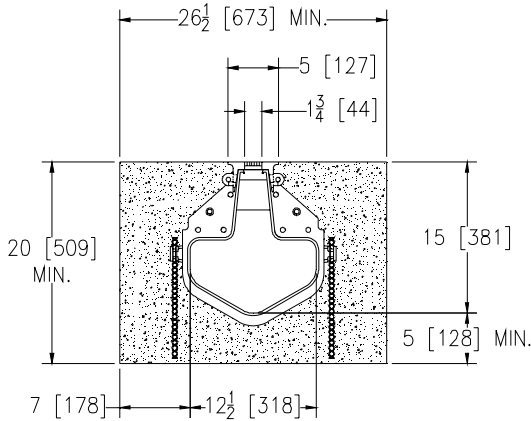
SPECIFICATION SHEET

HI-CAP SLOTTED DRAINAGE SYSTEM WITH HEELPROOF DUCTILE IRON GRATE FOR 12[305] CORRUGATED PIPE OR EQUIVALENT

TAG _____

Dimensional Data (inches and [mm]) are Subject to Manufacturing Tolerances and Change Without Notice

Specifying engineer is responsible for concrete encasement and reinforcing based upon application and local codes.



** 80 1/2 [2045] LENGTH INCLUDES MALE/FEMALE JOINT OVERLAP

ENGINEERING SPECIFICATION: Zurn Z888-12-HPD Slotted Drain channel is 80[2032] long, 15[381] deep invert, 12.5[318] wide with a 1.75[44] throat width, made from LLDPE linear Low Density Polyethylene. Channels have a mechanical tongue and groove and bolted connection, mechanically lock into the concrete surround every 5[127] along its length, channels weigh 5.6 lbs. per foot [8.3 kg per meter]. Channel has a smooth 2.5[64] radiused bottom with a smooth .011 Manning's coefficient, and neutral non-sloping body. Top reveal is non removable and is the finish at the surface, System is anchored into the concrete with Rebar clips or physical anchors every 5[127] to 10[254] along the channel body. Integral Rebar Clips are standard. Minimum 2000psi concrete encasement shall include longitudinal #4 0.5 [13] rebar along chairs on either side of the trench neck. The Channel has a non-removable, ADA compliant, heelproof ductile Iron Frame/Grate conforming to ASTM A536-84, Grade 80-55-06. Ductile Iron is capable of Supporting Class C Loading per DIN EN1433 top load classifications.

PREFIX OPTIONS

_____ Z 80 [2032] linear low density polyethylene modular drain channel with integral top frame.*

FRAME OPTIONS

_____ -HPG Heelproof Ductile Iron Galvanized frame/grate

SUFFIX OPTIONS

- _____ -E1 End Cap
- _____ -E4 4 [102] No Hub End Outlet
- _____ -E6 6 [152] No Hub End Outlet
- _____ -E8 8 [203] No Hub End Outlet
- _____ -E12 12 [305] No Hub End Outlet
- _____ -T12/18 Transition from -12 [305] to -18 [457]
- _____ -T18/12 Transition from -18 [457] to -12 [305]

Supplied By:



877-903-7246

www.trenchdrainsupply.com

REV. A	DATE: 08/25/10	C.N. NO. 111601
DWG. NO. 64003	PRODUCT NO. Z888-12-HPD	

*Regularly Furnished Unless Otherwise Specified